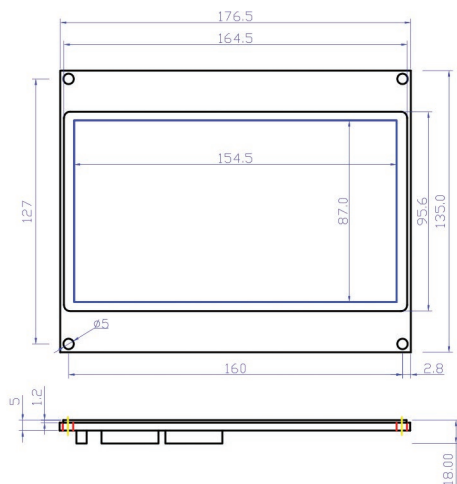
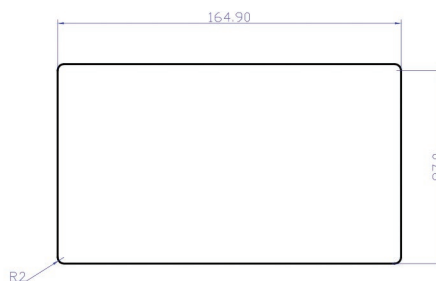


## DATA SHEET LCD 08.TF3.70E

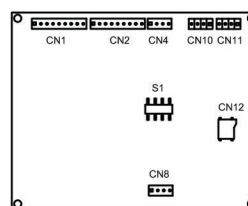
### Dimensions and configuration



### Cutout size



### Rear components



### S1 setting

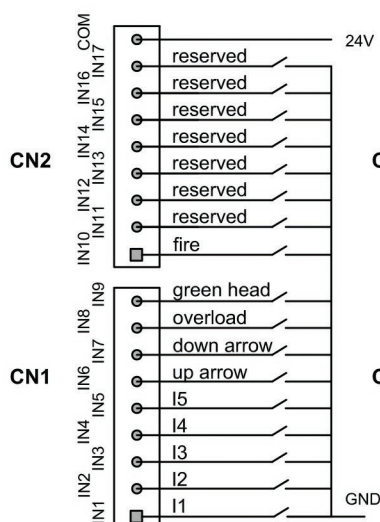
	ON	OFF
S1-1	Setting mode	Normal
S1-2	Horizontal	Vertical
S1-3	Canbus terminal resistor	Non-canbus terminal resistor
S1-4	RS485 terminal resistor	Non-RS485 terminal resistor

### Technical specification

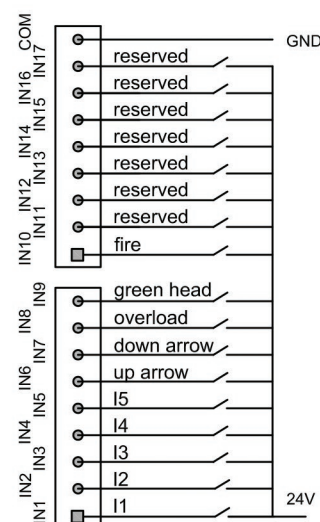
Rated voltage	24VDC
Tolerated input voltage	12-30VDC
Communication interface	Parallel input
Display	7.0" TFT LCD
Resolution	800x480
Colour	16.7M
Brightness	400cd / m <sup>2</sup>
Picture storage	Over 100 pictures
Arrow	2D static
Operating temperature	-20~ 70°C
Display content	Lift status, date, time, pictures
Dimension	176.5 x135mm
Operation at24V	239mA
Standby at24V	121mA

### Wiring diagram for parallel input

#### Negative trigger



#### Positive trigger



### Terminals

CN8	Factory use
CN1/CN2	Interface connector
CN12	Micro SD slot
S1	Function setting
BT1	3V battery connector

### DATA SHEET LCD 08.TF3.70E.LENS

