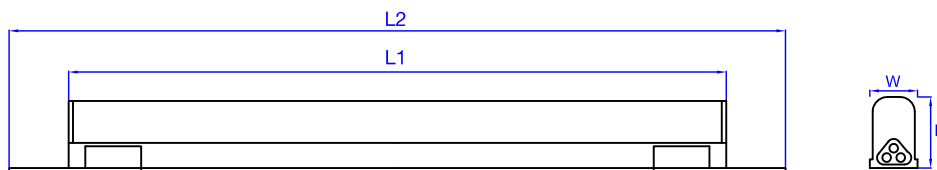

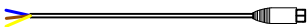


Dimensions

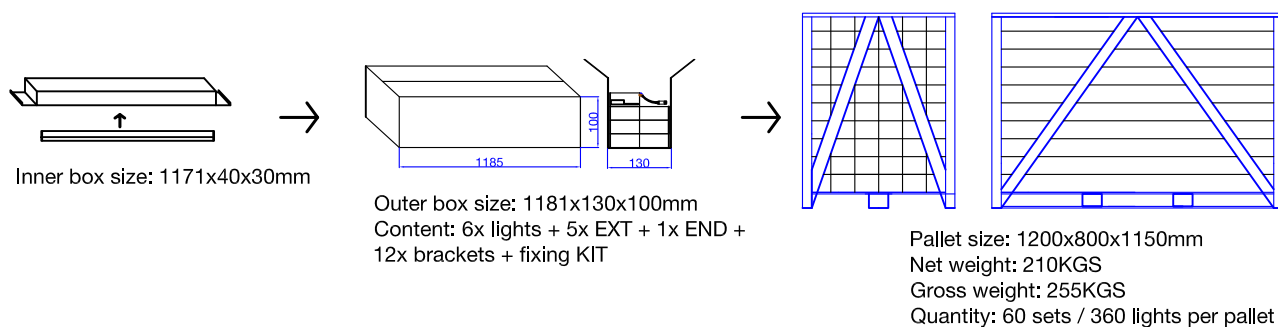


Model No.	L1(mm)	L2(mm)	W(mm)	H(mm)	Flux(lm)	Ra	Input voltage
05.SLK.T6B.12W	865	1025	22	31	1200	>80	180-265VAC
05.SLK.T6B.16W	1155	1315	22	31	1600	>80	180-265VAC

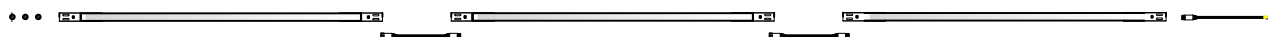
Cables

	Code	Length (m)	Weight(kg)	Cable type
 Connecting cable	05.SLK.EXT.2M	2	0.13	H05VVH2-F 3x0.75mm ²
	05.SLK.EXT.3M	3	0.20	
	05.SLK.EXT.5M	5	0.32	
 End cable	05.SLK.END.10M	10	0.55	

Packaging



Connecting



 MAX 15x