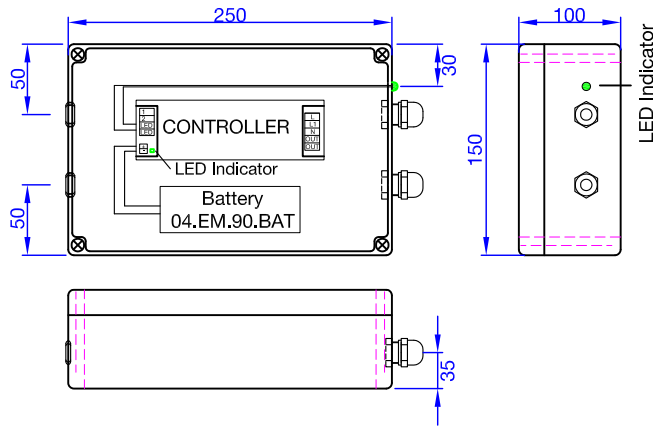


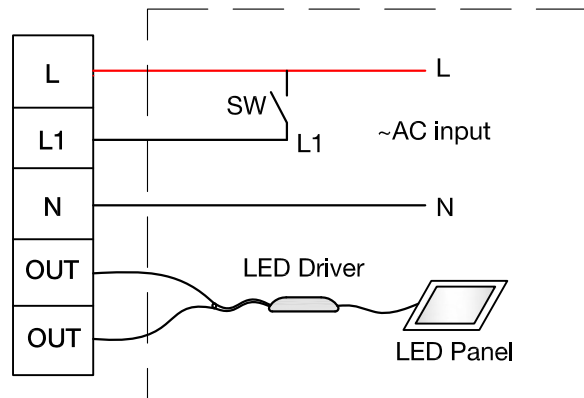
Dimensions



LED Indicator Status:

Charging		Green LED flash
Unit defective		Green LED flash quickly
Full charged		Green LED ON
Battery empty		Green LED OFF
Turned OFF		Green LED OFF
No power		Green LED OFF

Wiring



Connection Instructions

- 1: Ensure the LED driver can accept both 230VAC and 220VDC.
- 2: The "OUT" terminals on the charging unit are polarity free.

Specification

Model	Input Voltage	Output Voltage	Emergency Watt	Standby Time
04.EM.90M.10W	220-240VAC	220VDC	10W	60-90 minutes
04.EM.90M.20W	220-240VAC	220VDC	20W	
04.EM.90M.40W	220-240VAC	220VDC	40W	



Battery pack to be recharged each 3 months !
Battery pack to be changed after 3 years !