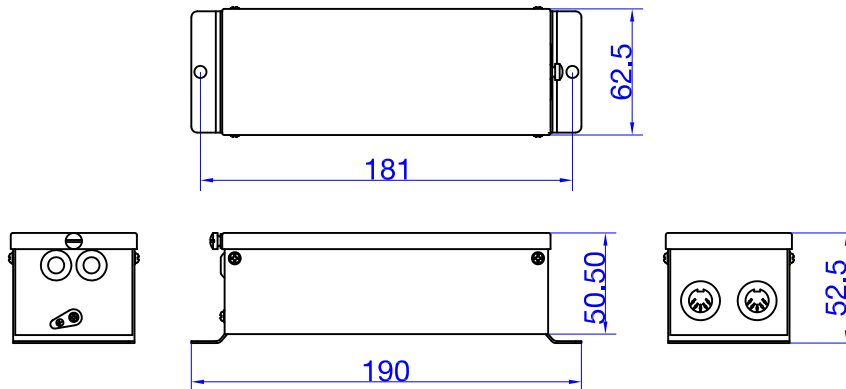
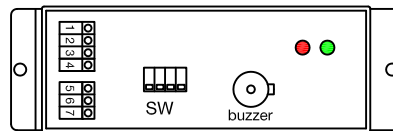


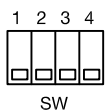
Dimensions



LED indicators & buzzer setting

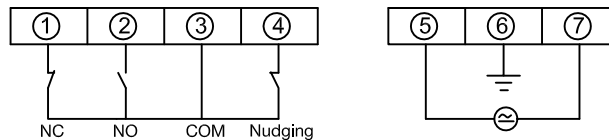


RED LED		Beams obstructed or system fault
RED LED		Normal
GREEN LED		Power on
GREEN LED		Power off



SW1	Buzzer functions	ON	Buzzer On	OFF	Buzzer OFF
SW2	Buzzer delay	ON	Delay 20s	OFF	Delay 30s
SW3	Buzzer active	ON	Infinite	OFF	60s
SW4	Buzzer setting	ON	Intermittent	OFF	Constant

Wiring



Model

03.G5.PWS.XN5.230	AC220V±15%, 50/60Hz,4W
03.G5.PWS.XN5.110	AC110V±15%, 50/60Hz,4W